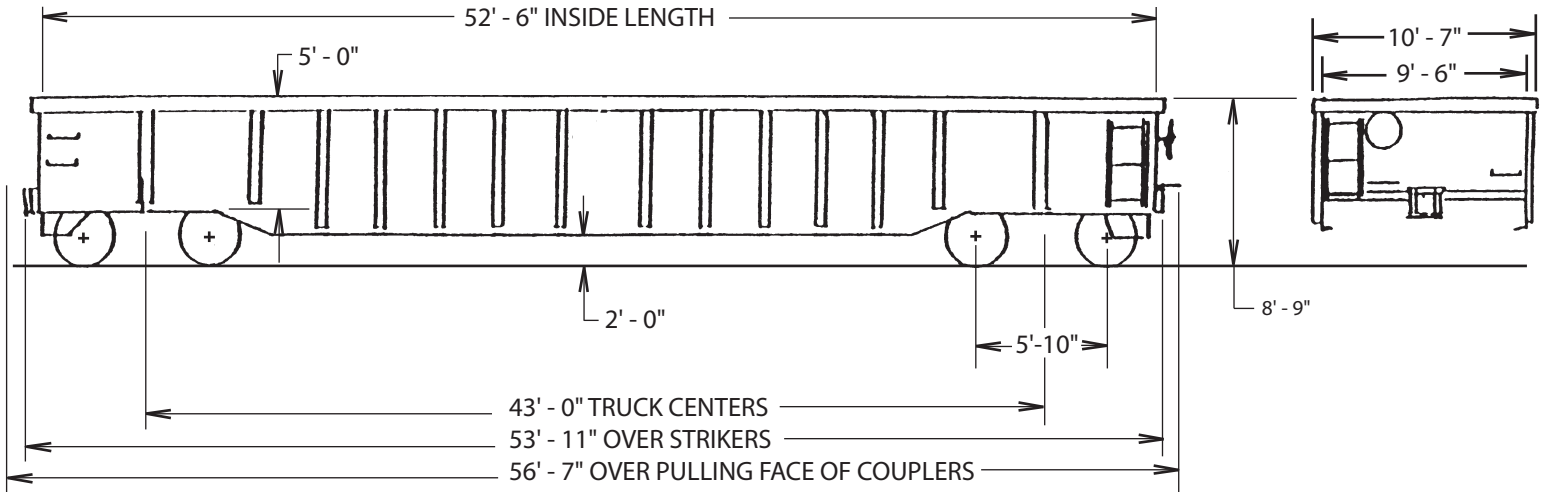


# C.K. INDUSTRIES, INC.

365 Surryse Road, Suite 150 • Lake Zurich, IL 60047 • (847) 550-1856 • Fax (847) 550-1854  
Mailing Address: P.O. Box 1029 • Lake Zurich, IL 60047-1029  
Email: sales@ckrail.net

**CAR DESCRIPTION:** Gondola - 50'



## SPECIFICATIONS

**AAR Mechanical Description:** GBS  
**Car Type Code:** E534  
**Cubic Foot Capacity:** 2494 Cu Ft  
**Light Weight:** 66,500  
**Gross Rail Load/Weight:** 263,000  
**Clearance Diagram:** Plate B

**Floor Type:** 3/8" Steel Plate  
**Eave Height:** 8' 9"  
**Eave Width:** 10' 7"  
**Inside Width:** 9' 6"  
**Inside Length:** 52' 6"  
**Inside Height:** 5'