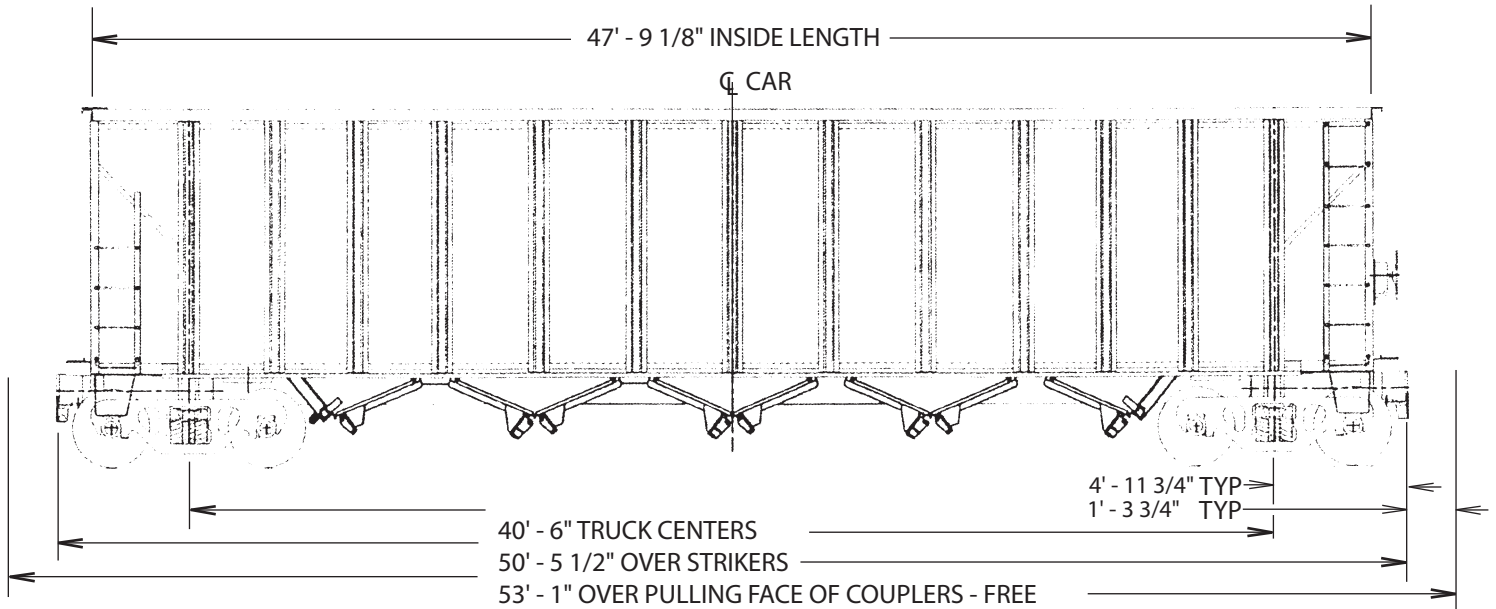


C.K. INDUSTRIES, INC.

365 Surryse Road, Suite 150 • Lake Zurich, IL 60047 • (847) 550-1856 • Fax (847) 550-1854
Mailing Address: P.O. Box 1029 • Lake Zurich, IL 60047-1029
Email: sales@ckrail.net

CAR DESCRIPTION: Open Top Hopper - Aluminum Rapid Discharge



SPECIFICATIONS

AAR Mechanical Description: HT
Car Type Code: K341
Cubic Foot Capacity: 4200 Cu Ft
Light Weight: 49,400
Gross Rail Load/Weight: 286,000
Clearance Diagram: Plate B
Slope of Floors: 60 Degrees
Gate Opening: 16 Air Operated Aluminum Doors

Maximum Width: 10' 8"
Inside Width: 10' 1 3/8"
Inside Length: 47' 9 1/8"
Length Over Coupler Facings: 53' 1"
Length Over Strikers: 50' 5 1/2"
Length Between Truck Centers: 40' 6"
Extreme Height: 13' 4"
Hopper Pockets: 5